

SEC Lighting • LEDLUX V - MULTILED V - IP20

Decoratief autonoom noodverlichtingstoestel gefabriceerd overeenkomstig de norm EN 60598-2-22 voor universeel gebruik. IP20
Inbouwtoestel - V - 8 x led 0.5W voor Ledlux ; 12 x led 0.5W voor Multiled AT ; 3 x Powered 1W voor Multiled AT

De microprocessor gestuurde "Autotest"-functie (AT) doet een wekelijkse functietest en om de drie maanden worden de batterijen getest op hun gebruiksduur. Drie kleuren LED's geven de status aan van de zelftest-functie en dat het oplaadcircuit is geactiveerd. Een testknop is standaard.

Ontwerp: stalen basis en een polycarbonaat pictogram als lichtverspreider. Zichtafstand: 27m.

De toestellen zijn uitgerust met NiMH-batterijen .

- Opties:
- batterij metaal-hydride
 - opbouw - zie fiche ledlux-P
 - centraal test met bus RS485 - serie ATXL
 - centraal power supply "C"

| afmetingen | | | L | B | H | AUT |
|-------------|----------|---------|-----|----|-----|-----|
| LEDLUX-P | 85-B-08 | 8 leds | 303 | 44 | 213 | 3H |
| MULTILED-AT | 85-B-20 | 12 leds | 303 | 44 | 213 | 1H |
| MULTILED-AT | 85-B-21 | 12 leds | 303 | 44 | 213 | 3H |
| MULTILED-AT | 85-B-205 | 3 leds | 303 | 44 | 213 | 1H |
| MULTILED-AT | 85-B-207 | 3 leds | 303 | 44 | 213 | 3H |

Appareil d'éclairage de secours autonome décoratif, conforme à la norme EN 60598-2-22 pour utilisation universelle. IP20.
Encastré - V - 8 x 1 led 0.5W pour ledlux ; 12 x led 0.5W pour Multiled AT ; 3 x Powered 1W pour Multiled AT

La fonction « Autotest » (AT) gérée par microprocesseur, exécute un test de fonction toutes les semaines et un test sur l'autonomie des batteries tous les trois mois. Trois LED's indiquent l'état de la fonction de contrôle et d'activation du circuit de charge.

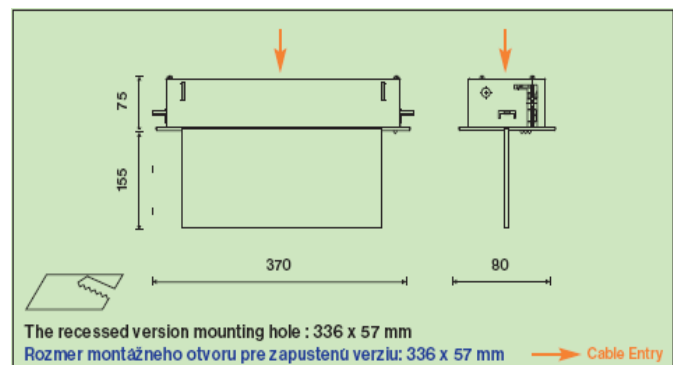
Un bouton de test standard.

Design: boîtier en acier, diffusion de la lumière par le pictogramme en polycarbonate. Distance de vue : 27m.

Les appareils sont équipés de batteries NiMH .

- Options:
- batteries Métal-hydride
 - apparent voir fiche ledlux-P
 - test centralisé par bus RS485 - serie ATXL
 - source centralisée "C"

| dimensions | | | L | B | H | AUT |
|-------------|----------|---------|-----|----|-----|-----|
| LEDLUX-P | 85-B-08 | 8 leds | 303 | 44 | 213 | 3H |
| MULTILED-AT | 85-B-20 | 12 leds | 303 | 44 | 213 | 1H |
| MULTILED-AT | 85-B-21 | 12 leds | 303 | 44 | 213 | 3H |
| MULTILED-AT | 85-B-205 | 3 leds | 303 | 44 | 213 | 1H |
| MULTILED-AT | 85-B-207 | 3 leds | 303 | 44 | 213 | 3H |



| NM/M | | MULTILED-V (RECESSED/ ZAPUSTENÝ) | | | | | | |
|------|---------------|----------------------------------|--------------------|--------------------|----------------------|----------------------|---------------------|--------|
| W | Type / Typ | Version | Light Source / LED | % Emergency Factor | Battery / Akumulátor | Duration / autonómia | Order Code / objkód | Weight |
| LED | MULTILED-V 3h | | 8x LED | 100% | NI-MH 4,8V/0,85Ah | 3h | 85-B-08-01-00 | 1,5 kg |
| LED | MULTILED-V 3h | | 8x LED | 100% | NI-MH 4,8V/0,85Ah | 3h | 85-B-08-01-00 | 1,5 kg |
| LED | MULTILED-V 3h | | 8x LED | 100% | NI-MH 4,8V/0,85Ah | 3h | 85-B-08-02-00 | 1,5 kg |
| LED | MULTILED-V 3h | | 8x LED | 100% | NI-MH 4,8V/0,85Ah | 3h | 85-B-08-08-00 | 1,5 kg |
| LED | MULTILED-V 3h | | 8x LED | 100% | NI-MH 4,8V/0,85Ah | 3h | 85-B-08-08-00 | 1,5 kg |
| LED | MULTILED-V 3h | | 8x LED | 100% | NI-MH 4,8V/0,85Ah | 3h | 85-B-08-08-00 | 1,5 kg |
| LED | MULTILED-V 3h | | 8x LED | 100% | NI-MH 4,8V/0,85Ah | 3h | 85-B-08-09-00 | 1,5 kg |
| LED | MULTILED-V 3h | BODY, NO PLEXI | 8x LED | 100% | NI-MH 4,8V/0,85Ah | 3h | 85-B-08-06-00 | 1,5 kg |

| AUTOTEST | | | MULTILED-V-AT (RECESSED/ ZAPUSTENÝ) | | | | | | |
|----------|-----------------------|----------------|-------------------------------------|--------------------|----------------------|----------------------|---------------------|--------|--|
| W | Type / Typ | Version | Light Source / LED | % Emergency Factor | Battery / Akumulátor | Duration / autonómia | Order Code / objkód | Weight | |
| LED | MULTILED-V-AT 1h | | 12x LED | 100% | NI-MH 4,8V/0,85Ah | 1h | 85-B-20-01-00 | 1,5 kg | |
| LED | MULTILED-V-AT 1h | | 12x LED | 100% | NI-MH 4,8V/0,85Ah | 1h | 85-B-20-01-00 | 1,5 kg | |
| LED | MULTILED-V-AT 1h | | 12x LED | 100% | NI-MH 4,8V/0,85Ah | 1h | 85-B-20-02-00 | 1,5 kg | |
| LED | MULTILED-V-AT 1h | | 12x LED | 100% | NI-MH 4,8V/0,85Ah | 1h | 85-B-20-08-00 | 1,5 kg | |
| LED | MULTILED-V-AT 1h | | 12x LED | 100% | NI-MH 4,8V/0,85Ah | 1h | 85-B-20-08-00 | 1,5 kg | |
| LED | MULTILED-V-AT 1h | | 12x LED | 100% | NI-MH 4,8V/0,85Ah | 1h | 85-B-20-09-00 | 1,5 kg | |
| LED | MULTILED-V-AT 1h | BODY, NO PLEXI | 12x LED | 100% | NI-MH 4,8V/0,85Ah | 1h | 85-B-20-06-00 | 1,5 kg | |
| LED | MULTILED-V-AT 3h | | 12x LED | 100% | NI-MH 4,8V/2,1Ah | 3h | 85-B-21-01-00 | 1,5 kg | |
| LED | MULTILED-V-AT 3h | | 12x LED | 100% | NI-MH 4,8V/2,1Ah | 3h | 85-B-21-01-00 | 1,5 kg | |
| LED | MULTILED-V-AT 3h | | 12x LED | 100% | NI-MH 4,8V/2,1Ah | 3h | 85-B-21-02-00 | 1,5 kg | |
| LED | MULTILED-V-AT 3h | | 12x LED | 100% | NI-MH 4,8V/2,1Ah | 3h | 85-B-21-07-00 | 1,5 kg | |
| LED | MULTILED-V-AT 3h | | 12x LED | 100% | NI-MH 4,8V/2,1Ah | 3h | 85-B-21-07-00 | 1,5 kg | |
| LED | MULTILED-V-AT 3h | | 12x LED | 100% | NI-MH 4,8V/2,1Ah | 3h | 85-B-21-09-00 | 1,5 kg | |
| LED | MULTILED-V-AT 3h | BODY, NO PLEXI | 12x LED | 100% | NI-MH 4,8V/2,1Ah | 3h | 85-B-21-06-00 | 1,5 kg | |
| LED | MULTILED-V-AT 3x1W/1h | | 3x Power LED | 100% | NI-MH 4,8V/2,1Ah | 1h | 85-B-206-01-00 | 1,5 kg | |
| LED | MULTILED-V-AT 3x1W/1h | | 3x Power LED | 100% | NI-MH 4,8V/2,1Ah | 1h | 85-B-206-01-00 | 1,5 kg | |
| LED | MULTILED-V-AT 3x1W/1h | | 3x Power LED | 100% | NI-MH 4,8V/2,1Ah | 1h | 85-B-206-02-00 | 1,5 kg | |
| LED | MULTILED-V-AT 3x1W/1h | | 3x Power LED | 100% | NI-MH 4,8V/2,1Ah | 1h | 85-B-206-03-00 | 1,5 kg | |
| LED | MULTILED-V-AT 3x1W/1h | | 3x Power LED | 100% | NI-MH 4,8V/2,1Ah | 1h | 85-B-206-03-00 | 1,5 kg | |
| LED | MULTILED-V-AT 3x1W/1h | | 3x Power LED | 100% | NI-MH 4,8V/2,1Ah | 1h | 85-B-206-04-00 | 1,5 kg | |
| LED | MULTILED-V-AT 3x1W/1h | BODY, NO PLEXI | 3x Power LED | 100% | NI-MH 4,8V/2,1Ah | 1h | 85-B-206-10-00 | 1,5 kg | |
| LED | MULTILED-V-AT 3x1W/3h | | 3x Power LED | 100% | NI-MH 4,8V/4,0Ah | 3h | 85-B-207-01-00 | 1,5 kg | |
| LED | MULTILED-V-AT 3x1W/3h | | 3x Power LED | 100% | NI-MH 4,8V/4,0Ah | 3h | 85-B-207-01-00 | 1,5 kg | |
| LED | MULTILED-V-AT 3x1W/3h | | 3x Power LED | 100% | NI-MH 4,8V/4,0Ah | 3h | 85-B-207-02-00 | 1,5 kg | |
| LED | MULTILED-V-AT 3x1W/3h | | 3x Power LED | 100% | NI-MH 4,8V/4,0Ah | 3h | 85-B-207-03-00 | 1,5 kg | |
| LED | MULTILED-V-AT 3x1W/3h | | 3x Power LED | 100% | NI-MH 4,8V/4,0Ah | 3h | 85-B-207-03-00 | 1,5 kg | |
| LED | MULTILED-V-AT 3x1W/3h | | 3x Power LED | 100% | NI-MH 4,8V/4,0Ah | 3h | 85-B-207-04-00 | 1,5 kg | |
| LED | MULTILED-V-AT 3x1W/3h | BODY, NO PLEXI | 3x Power LED | 100% | NI-MH 4,8V/4,0Ah | 3h | 85-B-207-10-00 | 1,5 kg | |

